



next generation led

info@nextgenerationled.be
www.nextgenerationled.be
Tel + 32 53 71 09 42

PANEL VERONA



Properties

- Lifespan L70 %: > 50.000 hours
- Energy savings up to 65%
- Lumen efficiency : 100 lm/W
- Polycarbonate ABS body, diffuse polycarbonate cover
- No UV radiation
- Excellent uniformity without dark spot
- Recessed
- Slim and simple design
- Warranty : 5 years

IP 20

Excellent
Uniformity

Dimmable

Specifications

VERONA	VR40	VR50	VR60
Power	40 W	50 W	60 W
Luminous intensity	4000 lm	5500 lm	6000 lm
Color rendering index	Ra >80		
Beam angle	115 °		
Input voltage	AC100-240 V / AC100 ~ 277 V / 50/60 Hz		
Color temperature	3000 K - 4000 K - 5000 K - 5700 K		
Temperature in use	- 10°C ~ 50°C		
Power factor (Pf)	>=0.9 at Max. Load		
LED type	Samsung		
Measurements	1280/320/89.6		
Weight	3.6 kg		

Application

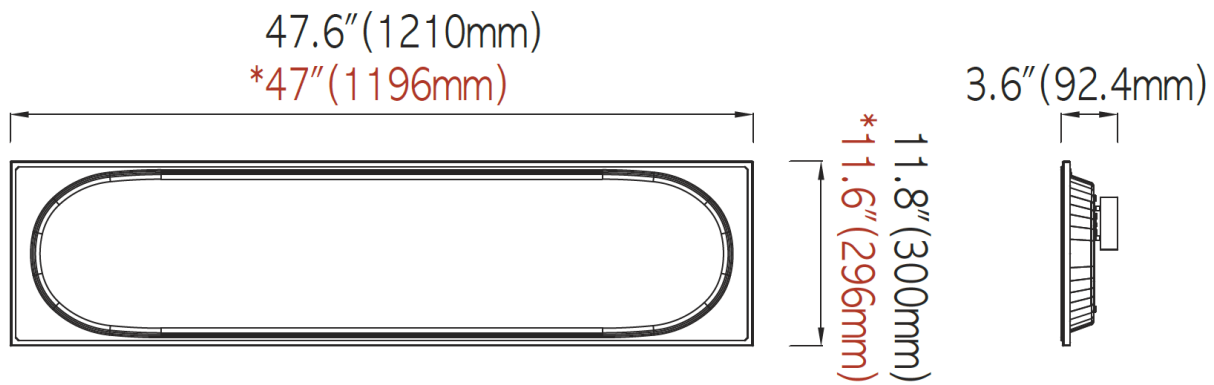
Office, meeting room, hospital, seminar room, classroom, store,...

Updated: August 2017



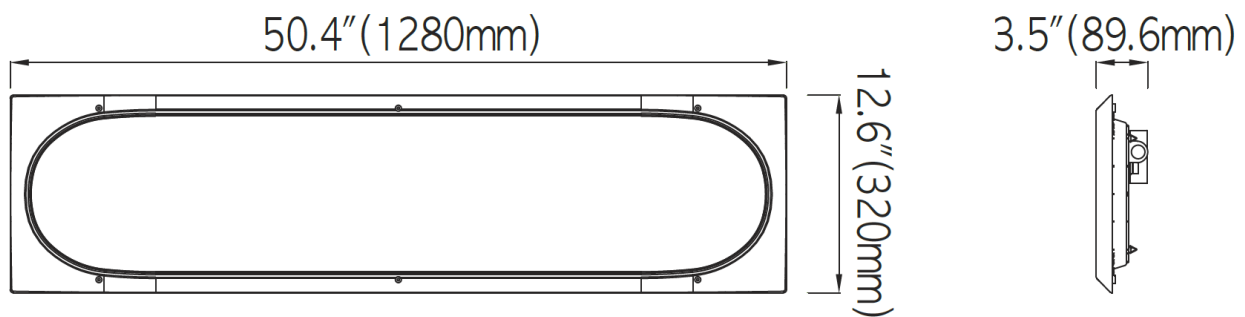
Specifications

- T-Bar



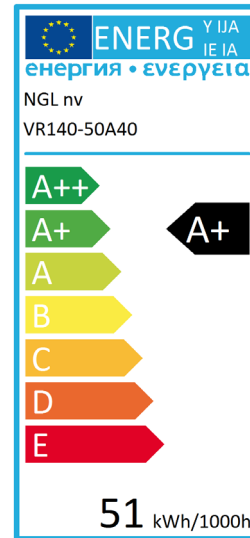
* Europe Standard

- M-Bar

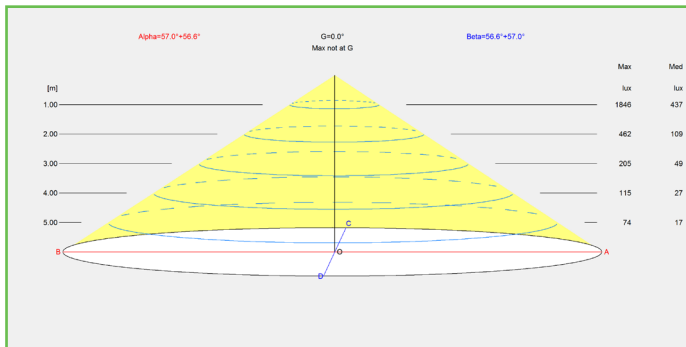


ENERGY LABEL

Electrical appliances carry an energy label. This label prints the so-called energy efficiency score in classes. These classes range from 'very energy efficient' (A++) to 'very waste of energy' (E). A more expensive new device may eventually turn out to be cheaper if the energy score is good. IPEA is the new system for luminaire energy efficiency assessment.



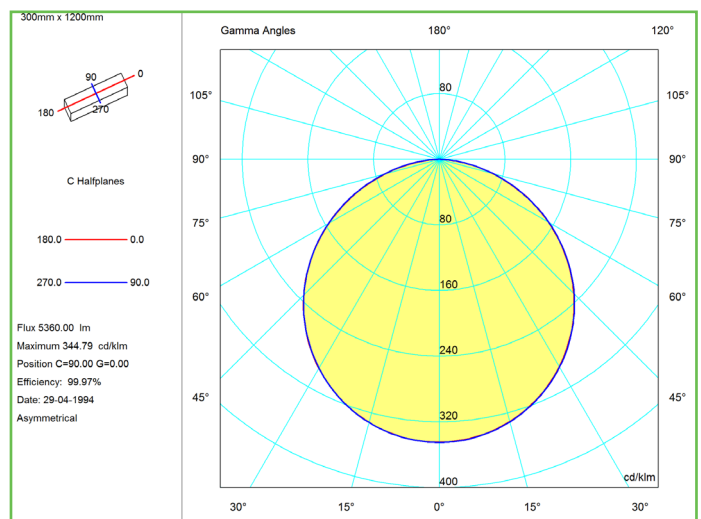
BEAM



The Illuminance Cone Diagram indicates the maximum illuminance at different distances from the fixture.

POLAR DIAGRAM

The polar luminous intensity graph illustrates the distribution of luminous intensity, in candelas, for the transverse (solid line) and axial (dashed line) planes of the luminaire. The shown curve provides a visual guide to the type of distribution expected from the luminaire e.g. wide, narrow, direct, indirect... in addition to intensity.





next generation led

PANEL VERONA

REFERENCE	WATT	LUMEN	KLEUR	BUNDEL	DIMBAAR
185-0110	40W	3850 lm	5000K	115°	YES
185-0111	40W	3850 lm	5700K	115°	YES

